



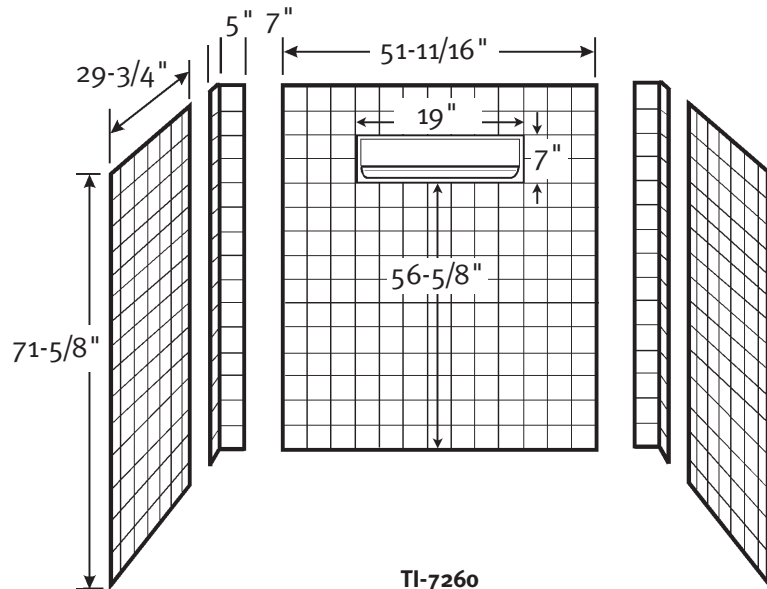
TI-7260 Veritek® SwanTile™ Bath Wall Kit

Manufactured from Veritek®
(See page 2 for detailed information.)

WARRANTY
Limited Lifetime – Residential
Limited 5-year – Commercial

FEATURES

- Compression molded Veritek® is a composite material with no surface coating to chip or crack.
- For use with Swanstone, Veritek® and other standard shower floors.
- Glue-up five piece shower wall panel system.



Designed to fit wall areas
31" – 36" deep x 53-1/4" – 64-3/4" wide x 71-5/8" high
(787 mm – 914 mm x 1314 mm – 1645 mm x 1819 mm)

SPECIFICATIONS

TI-7260 Veritek® SwanTile™ Bath Wall Kit

Model	Part	Wall Area Designed To Fit	Ship Wt. Lb.	Ship FedEx	Carton Dims. In.	Cu. Ft.
TI-7260	Tl07260	31" – 36" D x 53-1/4" – 64-3/4" W x 71-5/8" H (787 mm – 914 mm x 1314 mm – 1645 mm x 1819 mm)	95	–	73 x 55 x 6	13.94

Kit Includes: One back panel with molded-in soap shelf, two corner panels, two side panels and color coordinated silicone.

Packaging: Each kit is packed in a flat, rectangular carton.

SUPPORT DOCUMENTS

Installation instructions available at swanstone.com.

COLORS

Solid Colors:

- White (010)
- Bisque (018)
- Bone (037)

MAINTENANCE AND CLEANING INFORMATION

Clean regularly with common household liquid cleaners and a sponge or soft cloth. For hard water stains, scale removers can be used. To protect finish, fiberglass wax or automotive paste wax can be applied. **Do not** use abrasive cleaners or scouring pads. Do not use "leave on" cleaning products, such as automatic spray shower cleaners. Prolonged contact with harsh chemicals could have an adverse reaction over time and discolor surfaces. **Do not** use cleaning agents that caution use on acrylic, polyester or plastics.

MADE IN USA